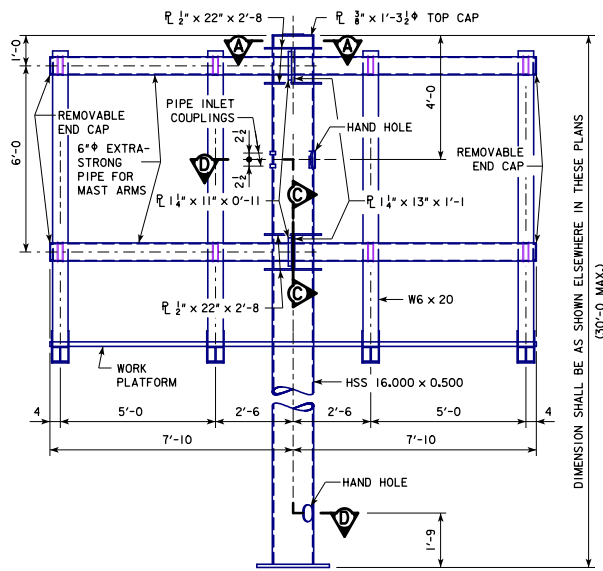
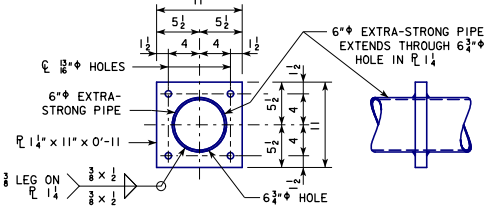


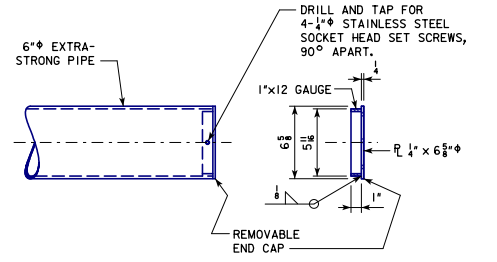
*REVISED 03-2019, MODIFIED FASTENER NOTE TO ADDRESS CHANGE IN ASTM SPECIFICATIONS. ADDED LABEL FOR DETAIL ASSOCIATED WITH SECTION D-D AND CHANGED DETAIL C LABEL TO DETAIL D.
 *CORRECTED WELD SYMBOL ASSOCIATED WITH HAND HOLE RIM. UPDATED IOWA DOT LOGO IN TITLE BLOCK. UPDATED BRIDGE ENGINEER SIGNATURE.
 *ROADSIDEDYNAMICSSUPPORT.DGN - RDMS-02-13 - THIS SHEET ISSUED 04-2013.



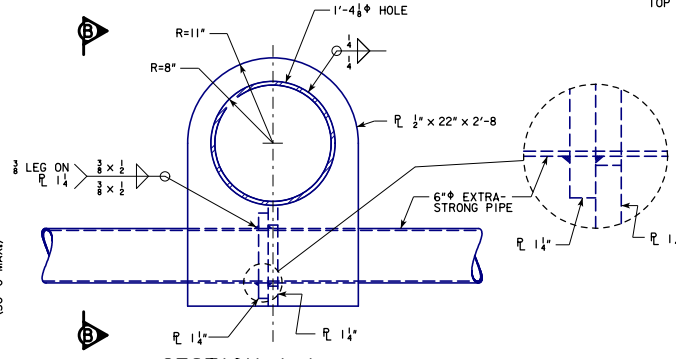
ELEVATION VIEW



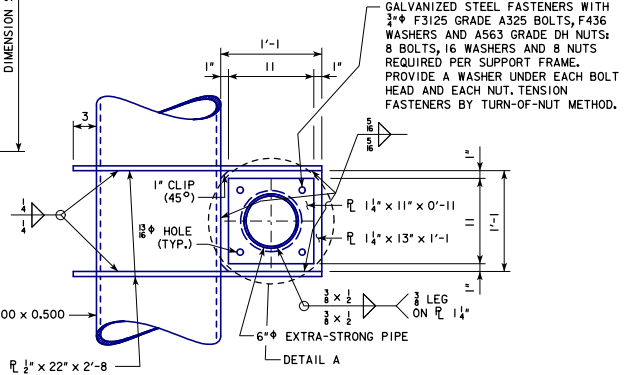
DETAIL A



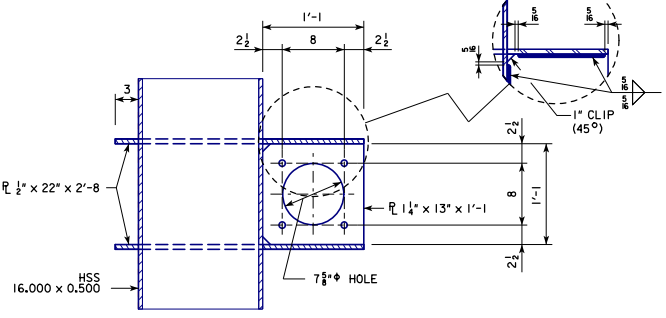
END CAP DETAIL



SECTION A-A

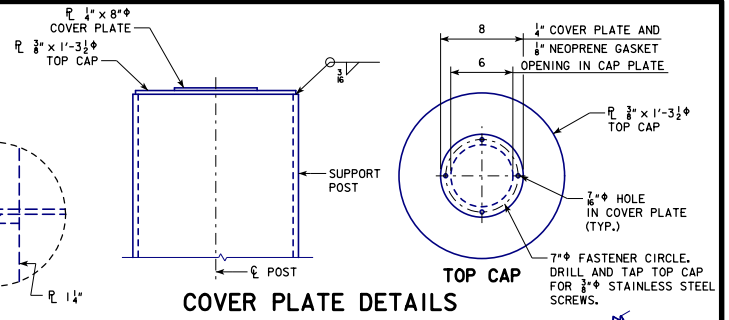


VIEW B-B

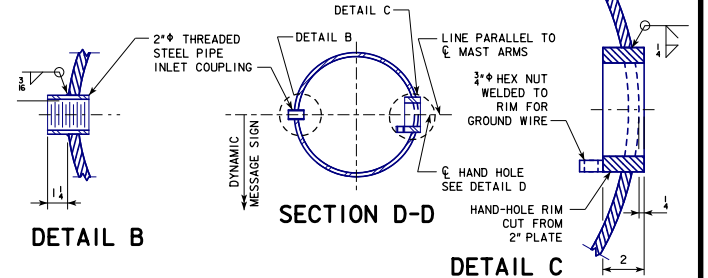


SECTION C-C

(6" EXTRA-STRONG PIPE NOT SHOWN)



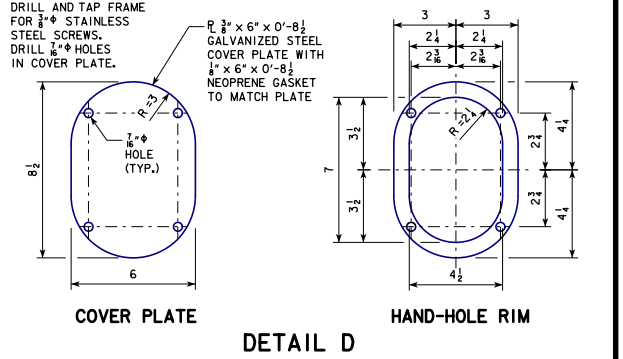
COVER PLATE DETAILS



DETAIL B

SECTION D-D

DETAIL C



COVER PLATE

HAND-HOLE RIM

DETAIL D

03-2019 LATEST REVISION DATE APPROVED BY BRIDGE ENGINEER	 STANDARD DESIGN ROADSIDE DYNAMIC MESSAGE SIGN (DMS) SUPPORT APRIL, 2013
	SUPPORT FRAME DETAILS
	RDMS-02-13