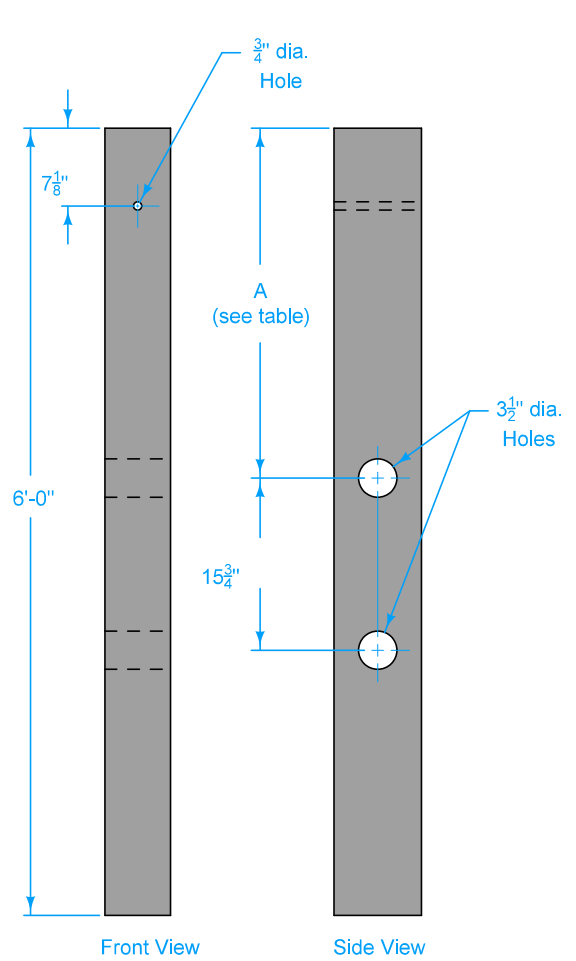
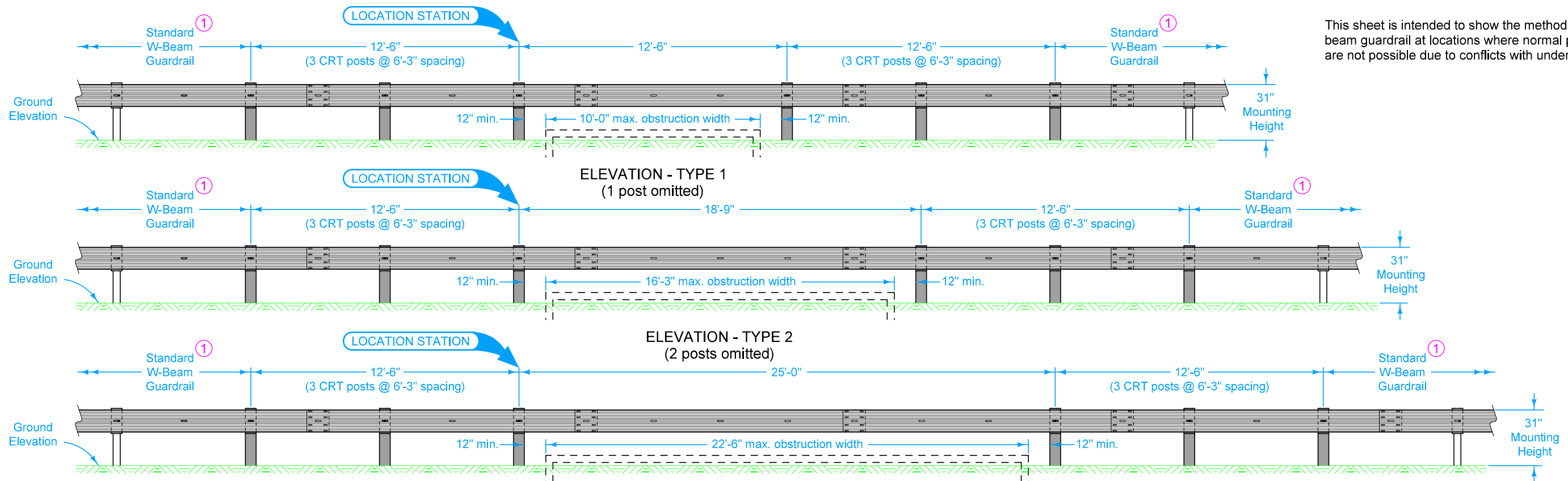
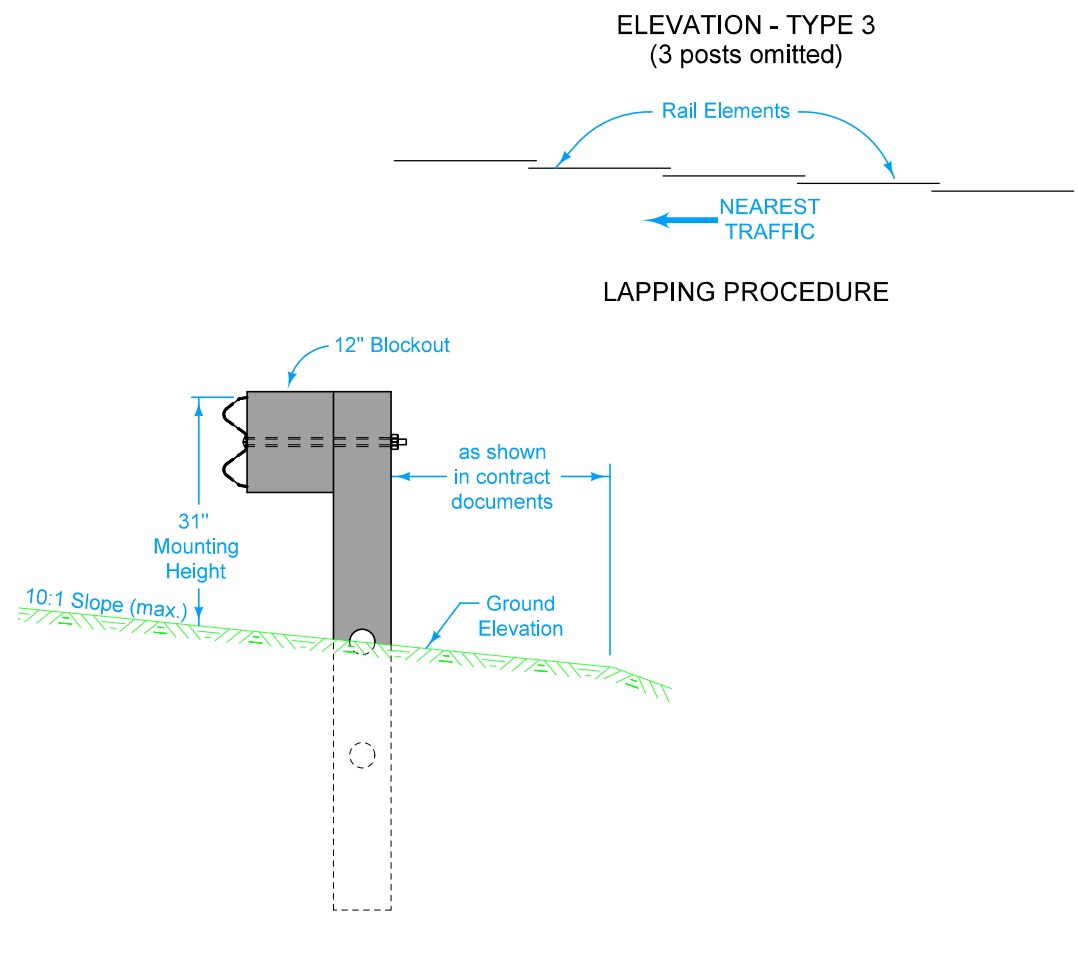


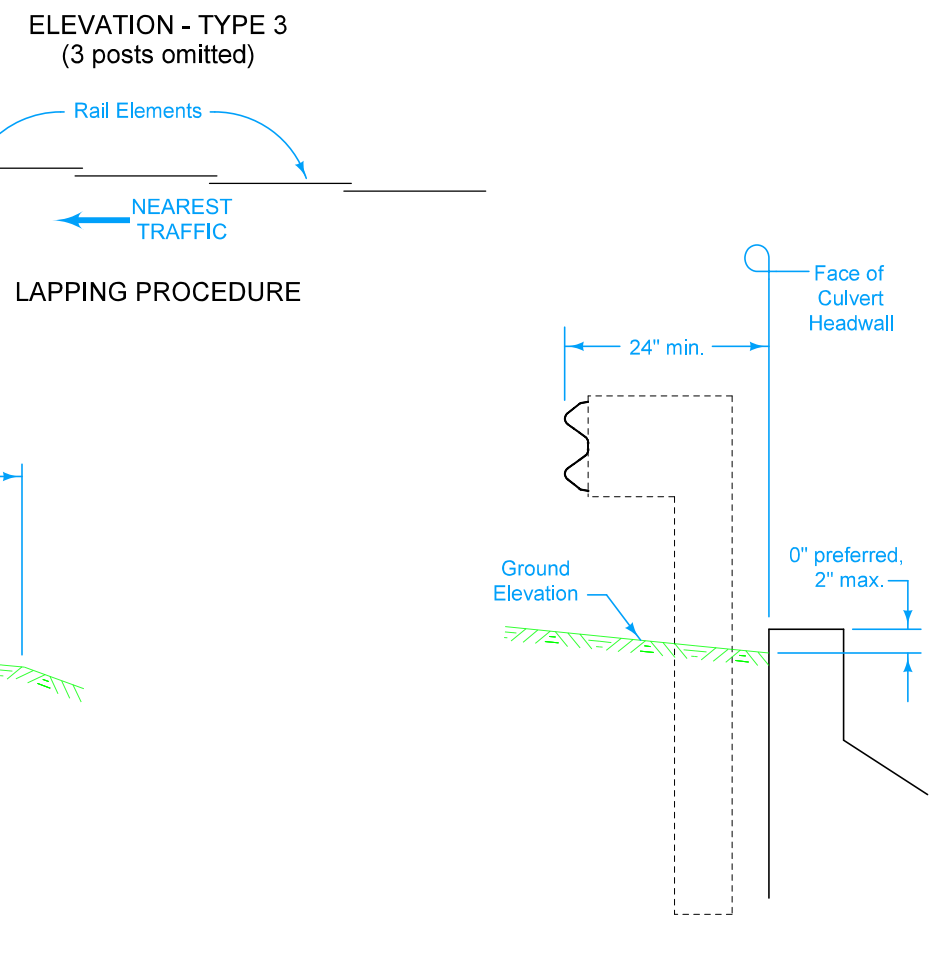
This sheet is intended to show the method of installing w-beam guardrail at locations where normal post placements are not possible due to conflicts with underground structures.



6'-0" CRT POST



TYPICAL SECTION AT CRT POST
Level Ground



TYPICAL SECTION AT BOX CULVERT

① A minimum of 62'-6" of w-beam guardrail must be installed between the outermost CRT post and the beginning of any Variable Flare (VF) section, end terminals, end anchors, and transition sections.

Possible Contract Item:
Steel Beam Guardrail

Materials included in the Contract Item:
(6) 6" x 8" x 6'-0" CRT posts
(6) 6" x 12" x 14 1/4" blockouts
Approved bolts, nuts, and washers

Possible Tabulations:
108-8B
108-8C

 STANDARD ROAD PLAN	REVISION	
	1	10-15-24
BA-211		
SHEET 1 of 1		
REVISIONS: Removed curb detail and circle note 3. Modified minimum length note.		
 APPROVED BY DESIGN METHODS ENGINEER		
STEEL BEAM GUARDRAIL LONG-SPAN SYSTEM FOR POST CONFLICTS		