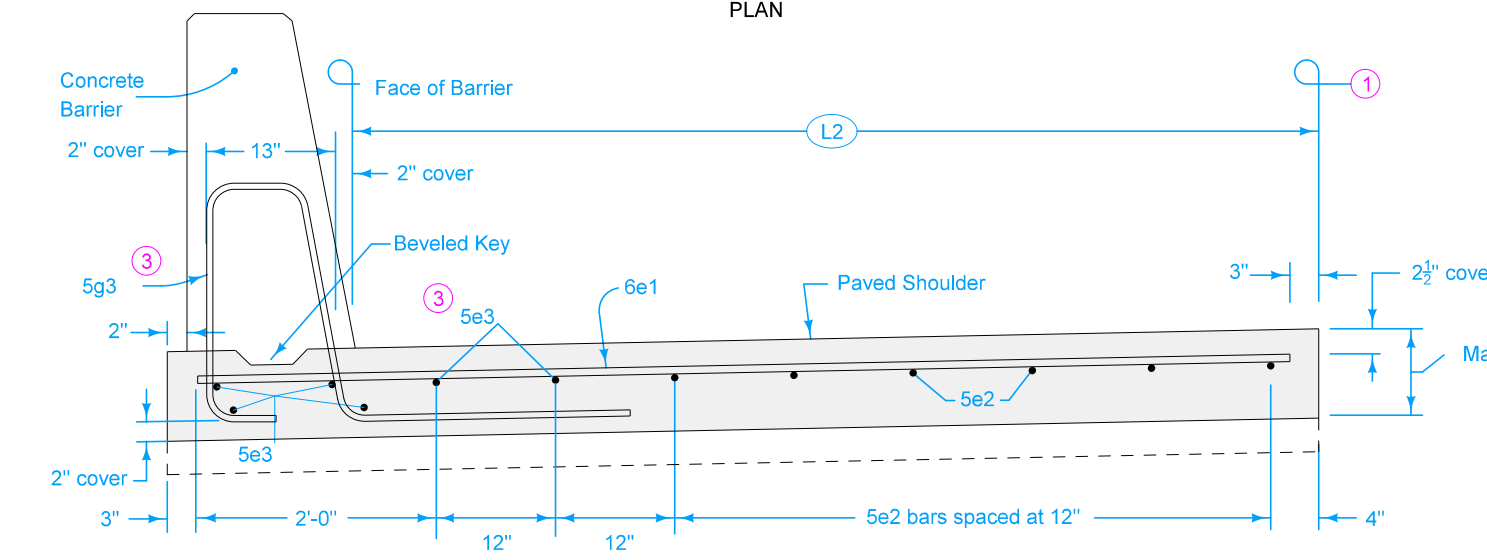
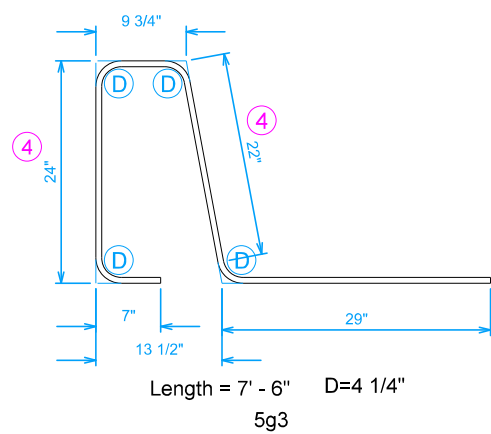


PLAN

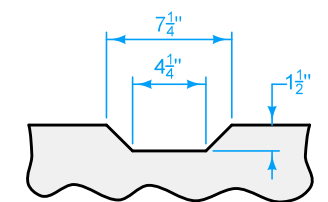


TYPICAL SECTION

REINFORCING BAR LIST				
Per Shoulder Panel (Approximately 17 Linear Feet)				
(L2)	Bar	Number of Bars	Length	Spacing
4'	6e1	15	5'-1"	12"
	5e2	4	15'-0"	12"
6'	6e1	15	7'-1"	12"
	5e2	6	15'-0"	12"
8'	6e1	15	9'-1"	12"
	5e2	8	15'-0"	12"
10'	6e1	15	11'-1"	12"
	5e2	10	15'-0"	12"
12'	6e1	15	13'-1"	12"
	5e2	12	15'-0"	12"
Applies to all Shoulder Widths	5e3	4	16'-4"	See Drawing
	5g3	varies	varies	(5)



Length = 7' - 6" D=4 1/4" 5g3



BEVELED KEY

Use 2 x 8 lumber 8" long to make keys. Place keys at 2'-8" centers.

- ① 'L-2' or 'KT-2' joint. When roadway pavement is existing, use 'BT-3' joint. See PV-101.
- ② 'CD' joint. Match roadway joint locations. See PV-101. No 'CD' joint baskets required within 4' of outside edge of shoulder.
- ③ When shoulder will be located under a concrete barrier end section, replace 5g3 bars with reinforcement as shown on BA-107.
- ④ Increase these dimensions by one inch for every inch of paved shoulder thickness greater than 9 inches.
- ⑤ Match spacing of vertical bars in concrete barrier.

Possible Contract Item:
Reinforced Paved Shoulder for Concrete Barrier

Possible Tabulation:
108-18B

 STANDARD ROAD PLAN	REVISION	
	6	10-17-23
	BA-106	
SHEET 1 of 1		
REVISIONS: Modified reinforcing to fit with 17' panels.		
 <small>APPROVED BY DESIGN METHODS ENGINEER</small>		
REINFORCED PAVED SHOULDER FOR CONCRETE BARRIER		